

Seahawk 200

Rugged COTS Solution

Features

- High performance Core™ 2 Quad graphic platform
- Triple 17.3" LED LCD display for a 5760 x 1080 combined resolutions
- Optional resistive touchscreens
- Dual GPU-based graphics for extreme High-Definition experience
- Up to 3TB removable storage capacity with on-board RAID 0/1/5/10
- Highly configurable platform for CAD to geographic information applications



Design for portability



Integrated I/O



Removable Storage



Detachable full Qwerty keyboard

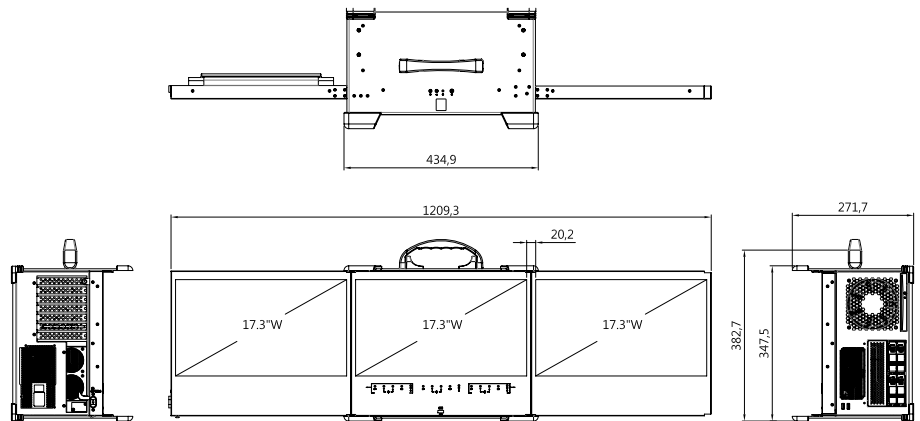
Introduction

The Seahawk 200 is a robust lunchbox computer built using heavy duty metal to provide tough, go-anywhere unit ideally suitable for wide ranges of applications such as Computer-Aided Design and geographic information system and professional digital media applications. Built in a unique, innovative form factor, the Seahawk 200 provides an excellent platform for simulation and training applications.

Every Seahawk 200 comes equipped with three HD resolution LCD displays, dual system cooling side fans and easy access to its expansion slots for immediate system upgrade or maintenance. The Seahawk 200 LCD display can be expanded and retracted fully for transporting and storage. The Seahawk 200 with its extra-rugged construction to sustain bumps and its rich features is the most durable and efficient portable solution for your needs.

Seahawk 200

Rugged COTS Solution



Display

Diagonal	3 X 17.3", 16:9 Display
LCD Resolution	3x 1920 x 1080
Brightness	300 nits
Contrast Ratio	500:1
Backlight MTBF	10000 Hours

Specifications

Model	Seahawk 200
Chipset	Intel X48
Slot	1x PCI-E (x16) 2x PCI-X 2x PCI
IDE	No
RAID Internal	Yes (0/1/5/10)
CPU	Intel Core™ 2 Quad Q950S
Memory	2GB DDR3 1333Mhz (max. 8GB)
Audio	ICH7R + AC97 Codec ALC655 w/5.1 channels
USB 2.0	6x ports
LAN	1x Gb Intel 82566DM
Power	1000W, 110-220VAC, 50/60Hz
VGA	DVI-I / Display port
O/S	Windows 7 Pro
HDD	3x 1TB SATA 3.5"
Optical	DVD -RW (IDE)
Dimension / Weight	14.3"H x 43.0"W x 11.5"D / 65 LBs



Corporate Offices

ACME Headquarters-U.S.A.

ACME Portable Machines, Inc.
1330 Mountain View Circle, Azusa, CA 91702
Tel: 1.626.610.1888 Fax: 1.626.610.1881
www.acmeportable.com

China:

Shenzhen Acme Portable Co., LTD.
Acme Bldg. No. 3 Industrial Zone
Xinqiao Shajing Baoan Shenzhen, China 518125
Tel: 86.755.2746.0590 Fax: 86.755.2993.9900
www.acmeportable.com.cn

Germany:

ACME Portable Computer GmbH
Kutschenweg 2 76287 Rheinstetten, Germany
Tel: 49 (0)721.570.453.0 Fax: 49 (0)721.570.453.29
www.acmeportable.de

China:

Suite 102, Tower A, Yongtai Creation Garden
No.25 Yongtai Mid Road, Haidian District
Beijing, China 100191
Tel: 86.10.8275.5703 / 04-805 Fax: 86.10.8275.5327
www.acmeportable.com.cn

Taiwan:

Acme Portable Corp.
5F, No. 25, Wu Chuan 3rd Road,
Wu-Ku Ind. Park, Taipei Hsien Taiwan
Tel: 886.2.2298.3636 Fax: 886.2.2298.3737
www.acmeportable.com.tw

China:

Shanghai ACME
68, Lane 1500, KongJiang Road
YangPu District, ShangHai
TEL:86.21.5595.2616 FAX: 86.21.5595.2516
www.acmeportable.com.cn

