

SpaceWire-to-GigabitEtherR2

SHIMAFUJI

- Provides 200Mbps SpaceWire packet transfer via TCP/IP socket to/from PC.
- Implements a SpaceWire router and the software-less TCP/IP stack on the FPGA.
- SpaceWire Link status monitor LED (4 LEDs)

Specification

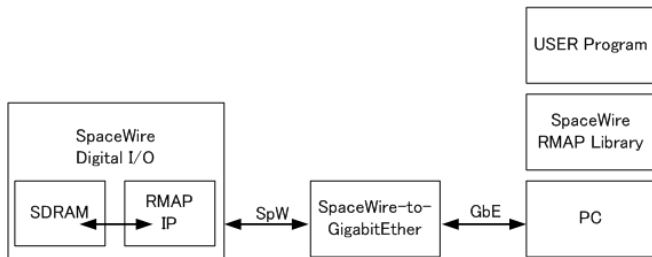
Function	FPGA : Spartan6 (Xilinx) SpaceWire : 4ch GigabitEther : 1ch Memory : DDR2 (1Gbit) Config Micro Computer : V850
Speed	SpaceWire: Max.200Mbps
Power	+ 5V/1.5A(Typ) * Supplied by AC adapter
Size	136mm•W•x75m•D•x25.2mm•H•
Weight	330g



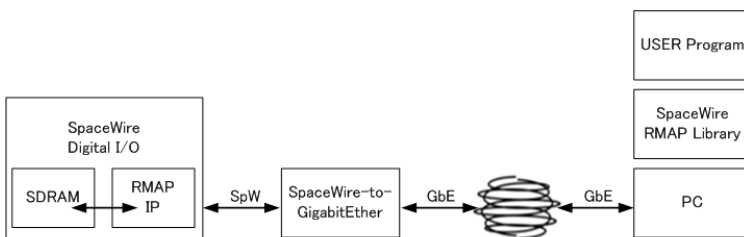
Model No.: GPWGB0012

Example connection

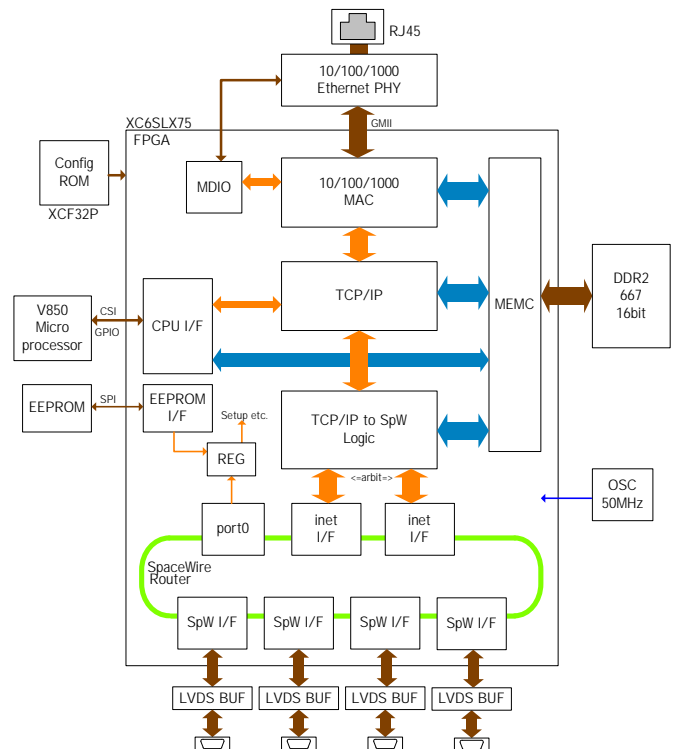
1• Direct Connection



2• Connection Via LAN



Block Diagram



SHIMAFUJI Electric Inc.

KC Bldg. 8-1-15, Nishikamata, Ota-ku, Tokyo, 144-0051, Japan

TEL•+81-03-3733-8308, FAX• +81-03-3733-8318, E-mail• info@shimafuji.co.jp, URL• http://www.shimafuji.co.jp/

• The contents of this material might change without notification .

SP23E3001